

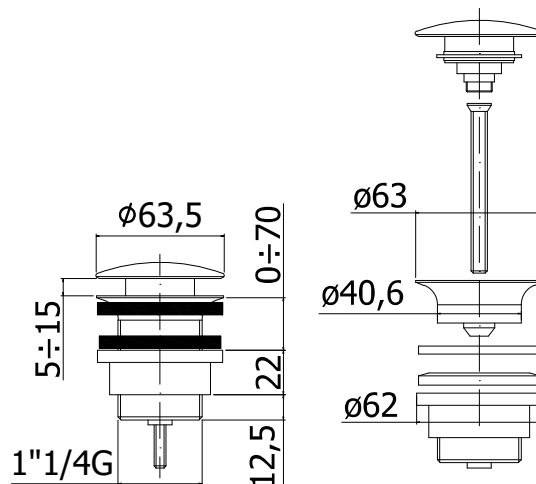
COLLECTION

accessori - fittings

PRODUCT IMAGE



TECHNICAL DRAWING



DESCRIPTION

1"1/4G Clic-Clac press top waste complete with:

- waste h60mm
- overflow
- locking screw and connection

ART.

ZSCA 050

adjustable from 0 to 70mm

FINISHES

ZSCA

CR - cromo

- BO - bianco opaco
- NO - nero opaco
- ST - finitura steel looking
- BR - bronzato
- RM - ramato



PRODUCT PAGE

www.paffoni.it