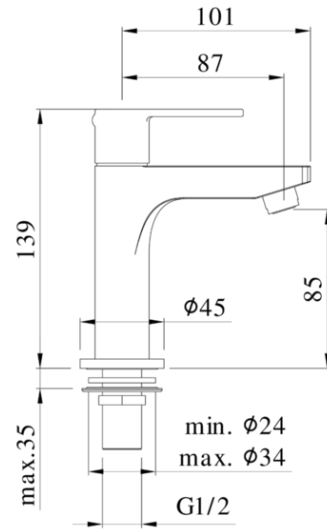


red



- Basin tap complete with:
- aerator M18x1
- ceramic disc valve
- 1/2" G connection

RED 090
CR- Chrome | Chrome

- Basin tap complete with:
- aerator M18x1
- ceramic disc valve
- 1/2" G connection

ARTICOLO ARTICLE

RED 090..

- cold water only
- cold water only

RAPPORTO PROVA PORTATA FLOW RATE REPORT

	Uscita outlet	Pressione / Pressure (bar)									
		0,5	1	1.5	2	2.5	3	3.5	4	4.5	5
Portata / Flow rate (l / min)		5.07	7.33	9.08	10.56	11.83	12.98	14.04	15.06	15.98	16.92

DOCUMENTI TECNICI TECHNICAL DOCUMENTS



ESPLOSO
RICAMBI
RED 090



