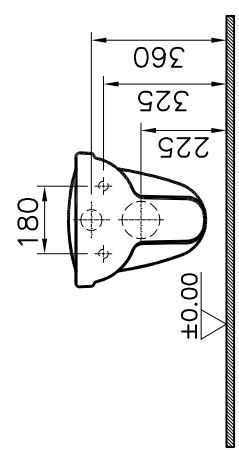
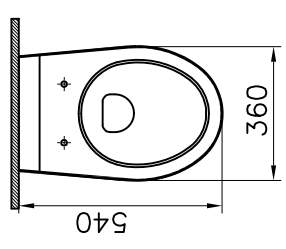
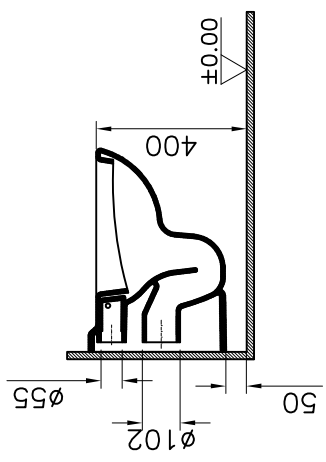


Theoretic Mass(kg)	Revision	Thread	Hole	Shaft
	A4			
Surface Area(dm ²)				

4 3 2 1



D C B A

1	1	Wall-hung WC Pan	6855-1026	Ceramic						
item	Quantity	Part Name	Drawing No	Material	Material Class					
		Series								
		NORM								
		This drawing can only be used for the intended purpose. Unauthorised copying is strictly prohibited.		Wall-hung WC Pan						
Drawn By	Controlled By	Approved By	Date	Drawing No	Scale					
U.AYDÖNER	O.KONEZ	B.TOPÇU	03.06.2008	6855	1/20					

05	520-->540 OLDU	RECEP H.	15.11.2011	Date	NAME
R.S	Description				

4 3 2 1

D C B A