

# SET LAUFEN PRO

## Shower tray MARBOND rectangular

21595.4 / 21095.3

21095.9 / 21195.4

21395.6 / 21395.7

21095.4 / 21195.0

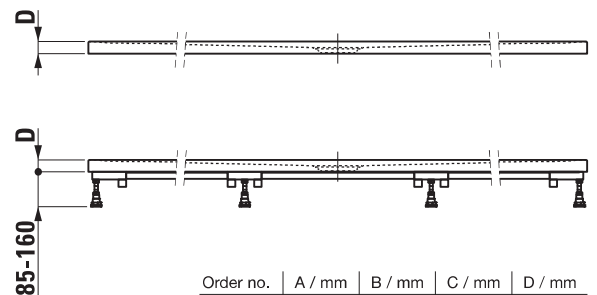
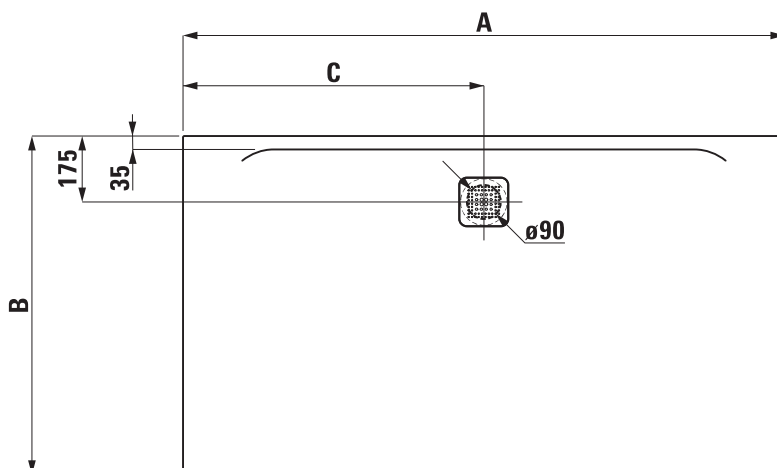
**21195.5**



### TECHNICAL DATA

|                     |   |                     |  |
|---------------------|---|---------------------|--|
| Order no.           | 21595.4, 21095.3, 21095.9, 21195.4 / 1400 mm<br>21395.6, 21395.7, 21095.4, 21195.0,<br><b>21195.5</b> / 1600 mm   | Mounting acc. excl. | Installation frame, adjustable height between 85-160 mm, order no. 29844.2<br>Antinoise set for the frame installation, order no. 29898.9<br>3-D sealing tape:<br>Sealing set 3,0 m, for sealed sides ≤ 3 m, includes 1 sealing tape (width 120 mm, length 3 m), 3-D inside corner for sealing (1 piece) and 2x 3 m antinoise tape (width 30 mm), order no. 29564.2<br>Additional sealing set 2,0 m, for sealed sides ≥ 3 m, order no. 29564.7<br>3-D sealing corners:<br>Inside corner, 1 piece, order no. 29564.3<br>Outside corner for floor-even installation, set 3 parts, order no. 29564.4<br>Dispersion sealing composition, tube 500 ml, order no. 29564.5<br>Noise control band, order no. 29555.1 |
| Certified to        | EN 14257, EN 251  | Otherwise           | For customised Marbond shower trays order no. 21295.0 please use the order form.   |
| Dimensions          | see table below   | Colours             | <b>000 – White matt structured</b> , 077 – Light grey matt structured, 078 – Anthracite matt structured  |
| Depth               | see table below   |                     |  |
| Specification       | Rectangular shower tray made of Marbond (Gel Coat surface matt, with structure) with Antislip, Class C (DIN 51097)<br>Removable siphon cover, stainless steel<br>For floor-even installation or on floor installation   |                     |  |
| Weight              | 21595.4 – 34,0 kg / 21095.3 – 37,0 kg<br>21095.9 – 39,0 kg / 21195.4 – 43,0 kg<br>21395.6 – 40,0 kg / 21395.7 – 42,0 kg<br>21095.4 – 44,0 kg / 21195.0 – 45,0 kg<br><b>21195.5 – 50,0 kg</b>  |                     |  |
| Mounting acc. excl. | Mounting box type DN 50, height 100 mm incl. waste, Ø 90 mm without cover (pre-assembled) left, order no. 29004.3, right, order no. 29004.4<br>Mounting box type DN 40, height 75 mm incl. waste, Ø 90 mm without cover (pre-assembled) left, order no. 29003.3, right, order no. 29003.4<br><br>Waste DN 50, Ø 90 mm without cover, order no. 29512.7<br>Mounting box type DN 50, height 100 mm, left, order no. 29004.1, right, order no. 29004.2<br>Mounting box type DN 40, height 75 mm, left, order no. 29003.1, right, order no. 29003.2 |                     |  |

### TECHNICAL DRAWINGS / S 1 : 20



| Order no.      | A / mm      | B / mm      | C / mm     | D / mm    |
|----------------|-------------|-------------|------------|-----------|
| 21595.4        | 1400        | 700         | 700        | 30        |
| 21095.3        | 1400        | 800         | 700        | 30        |
| 21095.9        | 1400        | 900         | 700        | 30        |
| 21195.4        | 1400        | 1000        | 700        | 30        |
| 21395.6        | 1600        | 700         | 800        | 32        |
| 21395.7        | 1600        | 750         | 800        | 32        |
| 21095.4        | 1600        | 800         | 800        | 32        |
| 21195.0        | 1600        | 900         | 800        | 33        |
| <b>21195.5</b> | <b>1600</b> | <b>1000</b> | <b>800</b> | <b>33</b> |