

SET LAUFEN PRO

Shower tray MARBOND rectangular

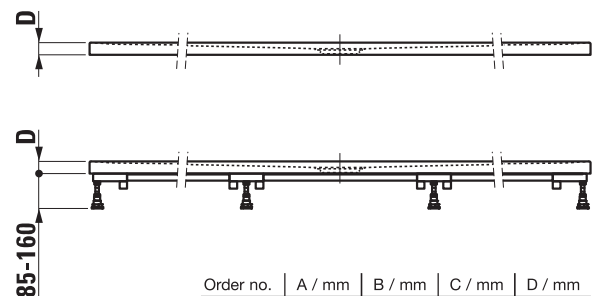
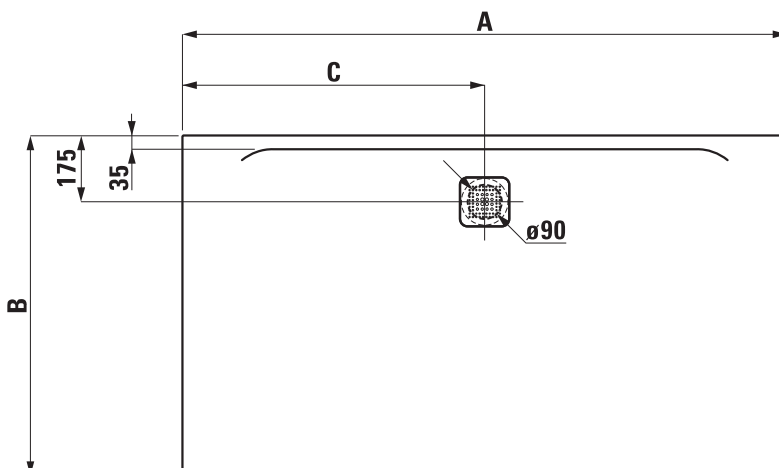
21595.4 / 21095.3
21095.9 / 21195.4
21395.6 / 21395.7
21095.4 / 21195.0
21195.5



TECHNICAL DATA

Order no.	21595.4, 21095.3, 21095.9, 21195.4 / 1400 mm 21395.6, 21395.7, 21095.4, 21195.0, 21195.5 / 1600 mm	Mounting acc. excl.	Installation frame, adjustable height between 85-160 mm, order no. 29844.2 Antinoise set for the frame installation, order no. 29898.9 3-D sealing tape: Sealing set 3,0 m, for sealed sides ≤ 3 m, includes 1 sealing tape (width 120 mm, length 3 m), 3-D inside corner for sealing (1 piece) and 2x 3 m antinoise tape (width 30 mm), order no. 29564.2 Additional sealing set 2,0 m, for sealed sides ≥ 3 m, order no. 29564.7 3-D sealing corners: Inside corner, 1 piece, order no. 29564.3 Outside corner for floor-even installation, set 3 parts, order no. 29564.4 Dispersion sealing composition, tube 500 ml, order no. 29564.5 Noise control band, order no. 29555.1
Certified to	EN 14257, EN 251		
Dimensions	see table below		
Depth	see table below		
Specification	Rectangular shower tray made of Marbond (Gel Coat surface matt, with structure) with Antislip, Class C (DIN 51097) Removable siphon cover, stainless steel For floor-even installation or on floor installation		
Weight	21595.4 – 34,0 kg / 21095.3 – 37,0 kg 21095.9 – 39,0 kg / 21195.4 – 43,0 kg 21395.6 – 40,0 kg / 21395.7 – 42,0 kg 21095.4 – 44,0 kg / 21195.0 – 45,0 kg 21195.5 – 50,0 kg		
Mounting acc. excl.	Mounting box type DN 50, height 100 mm incl. waste, Ø 90 mm without cover (pre-assembled) left, order no. 29004.3, right, order no. 29004.4 Mounting box type DN 40, height 75 mm incl. waste, Ø 90 mm without cover (pre-assembled) left, order no. 29003.3, right, order no. 29003.4 Waste DN 50, Ø 90 mm without cover, order no. 29512.7 Mounting box type DN 50, height 100 mm, left, order no. 29004.1, right, order no. 29004.2 Mounting box type DN 40, height 75 mm, left, order no. 29003.1, right, order no. 29003.2	Otherwise	For customised Marbond shower trays order no. 21295.0 please use the order form.
		Colours	000 – White matt structured, 077 – Light grey matt structured, 078 – Anthracite matt structured

TECHNICAL DRAWINGS / S 1 : 20



Order no.	A / mm	B / mm	C / mm	D / mm
21595.4	1400	700	700	30
21095.3	1400	800	700	30
21095.9	1400	900	700	30
21195.4	1400	1000	700	30
21395.6	1600	700	800	32
21395.7	1600	750	800	32
21095.4	1600	800	800	32
21195.0	1600	900	800	33
21195.5	1600	1000	800	33