

SET LAUFEN PRO

Shower tray MARBOND rectangular

21095.1 / 21095.7
21295.4 / 21295.5
21095.2 / 21095.8
21195.3

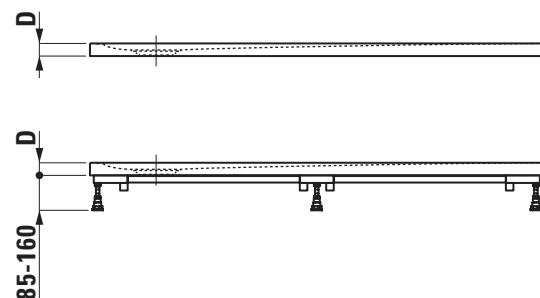
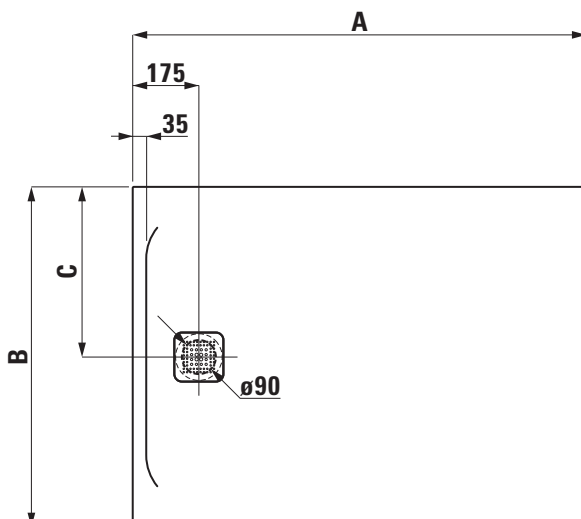


TECHNICAL DATA

| | |
|---------------------|---|
| Order no. | 21095.1, 21095.7 / 1000 mm 21295.4, 21295.5 / 1100 mm 21095.2, 21095.8, 21195.3 / 1200 mm |
| Certified to | EN 14257, EN 251 |
| Dimensions | see table below |
| Depth | see table below |
| Specification | Rectangular shower tray made of Marbond (Gel Coat surface matt, with structure) with Antislip, Class C (DIN 51097) Removable siphon cover, stainless steel For floor-even installation or on floor installation |
| Weight | 21095.1 – 28,0 kg / 21095.7 – 30,0 kg 21295.4 – 30,0 kg / 21295.5 – 32,0 kg 21095.2 – 35,0 kg / 21095.8 – 37,0 kg 21195.3 – 39,0 kg |
| Mounting acc. excl. | Mounting box type DN 50, height 100 mm incl. waste, Ø 90 mm without cover (pre-assembled) left, order no. 29004.3, right, order no. 29004.4 Mounting box type DN 40, height 75 mm incl. waste, Ø 90 mm without cover (pre-assembled) left, order no. 29003.3, right, order no. 29003.4 Waste DN 50, Ø 90 mm without cover, order no. 29512.7 Mounting box type DN 50, height 100 mm, left, order no. 29004.1, right, order no. 29004.2 Mounting box type DN 40, height 75 mm, left, order no. 29003.1, right, order no. 29003.2 |

| | |
|---------------------|--|
| Mounting acc. excl. | Installation frame, adjustable height between 85-160 mm, order no. 29844.1 Antinoise set for the frame installation, order no. 29898.8 3-D sealing tape: Sealing set 3,0 m, for sealed sides ≤ 3 m, includes 1 sealing tape (width 120 mm, length 3 m), 3-D inside corner for sealing (1 piece) and 2x 3 m antinoise tape (width 30 mm), order no. 29564.2 Additional sealing set 2,0 m, for sealed sides ≥ 3 m, order no. 29564.7 3-D sealing corners: Inside corner, 1 piece, order no. 29564.3 Outside corner for floor-even installation, set 3 parts, order no. 29564.4 Dispersion sealing composition, tube 500 ml, order no. 29564.5 Noise control band, order no. 29555.1 |
| Otherwise | For customised Marbond shower trays order no. 21295.0 please use the order form. |
| Colours | 000 – White matt structured, 077 – Light grey matt structured, 078 – Anthracite matt structured |

TECHNICAL DRAWINGS / S 1 : 20



| Order no. | A / mm | B / mm | C / mm | D / mm |
|-----------|--------|--------|--------|--------|
| 21095.1 | 1000 | 800 | 400 | 33 |
| 21095.7 | 1000 | 900 | 450 | 33 |
| 21295.4 | 1100 | 800 | 400 | 33 |
| 21295.5 | 1100 | 900 | 450 | 33 |
| 21095.2 | 1200 | 800 | 400 | 33 |
| 21095.8 | 1200 | 900 | 450 | 33 |
| 21195.3 | 1200 | 1000 | 500 | 33 |