

Technical Specifications

CarrodRAIN

Cayman LOW

Cayman mono LOW

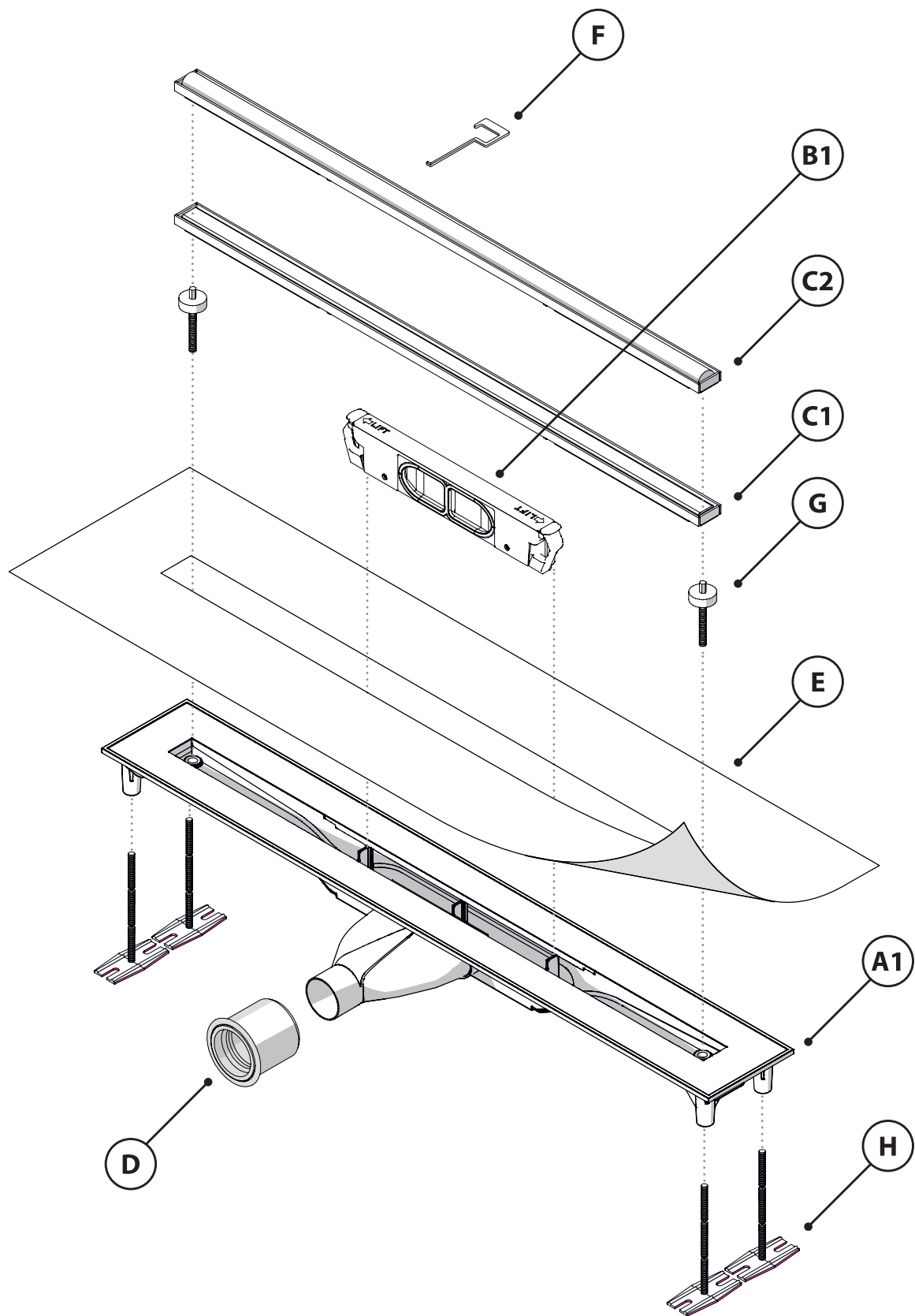
Cayman PRO

Cayman mono PRO

CARRODRAIN

SHOWER DRAIN DESIGN

Carrodrain **Cayman LOW**

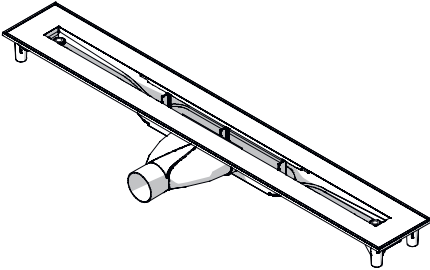
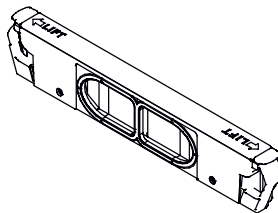


Carrodrain **Cayman LOW** / Technical Specifications

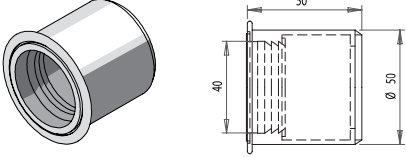
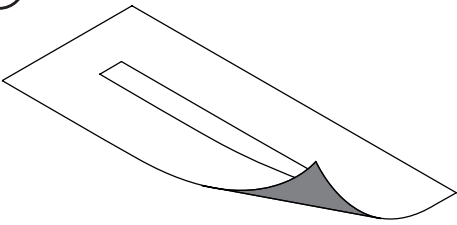
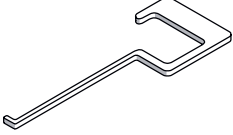
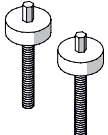

	600 LOW	700 LOW	800 LOW	900 LOW
Box length	735 mm	835 mm	935 mm	1035 mm
Box width	235 mm	235 mm	235 mm	235 mm
Box height	90 mm	90 mm	90 mm	90 mm
Weight per box (=complete package)	2,70 kg	2,90 kg	3,10 kg	3,30 kg
Weight per pallet incl. pallet	120 kg	130 kg	140 kg	150 kg
Number of sets per box	1	1	1	1
Number of boxes per pallet	40	40	40	40

Carrodrain **Cayman mono LOW** / Technical Specifications

	600 mono LOW	700 mono LOW	800 mono LOW	900 mono LOW
Box length	735 mm	835 mm	935 mm	1035 mm
Box width	235 mm	235 mm	235 mm	235 mm
Box height	90 mm	90 mm	90 mm	90 mm
Weight per box (=complete package)	3,50 kg	3,90 kg	4,30 kg	4,70 kg
Weight per pallet incl. pallet	155 kg	170 kg	185 kg	200 kg
Number of sets per box	1	1	1	1
Number of boxes per pallet	40	40	40	40

PART	DESCRIPTION	CODE
<p>A1</p> 	<p>CAYMAN LOW BODY</p> <p>Dimensions : see later in this technical datasheet</p> <p>Material : High Heat ABS</p> <p>General : drainage system with patented "superflow" technology pre-glued Kerlox-flange (36mm) drainage capacity: see KIWA table max. water temperature = 90°C</p>	
<p>B1</p> 	<p>CAYMAN LOW SIPHON</p> <p>Material : High Heat ABS + TPE drainage capacity: see KIWA table water seal height = 30 mm not frost resistant</p>	100202

Carrodrain **Cayman** / Technical Specifications

PART	DESCRIPTION	CODE
<p>(D)</p> 	<p>SLIDING SOCKET 40/50</p> <p>Material : PP-Block Copolymere (PP-B) diameter from 40 mm to 50 mm rubber seal</p>	100028
<p>(E)</p> 	<p>CAYMAN SEPARATE KERLOX FLANGE</p> <p>Kerlox-membrane with cutout</p> <p>KERLOX FLANGE CAYMAN 600 : L x W x H = 900 x 350 x 0,4 mm KERLOX FLANGE CAYMAN 700 : L x W x H = 1000 x 350 x 0,4 mm KERLOX FLANGE CAYMAN 800 : L x W x H = 1100 x 350 x 0,4 mm KERLOX FLANGE CAYMAN 900 : L x W x H = 1200 x 350 x 0,4 mm KERLOX FLANGE CAYMAN 1000 : L x W x H = 1300 x 350 x 0,4 mm</p> <p>More info : see Kerlox technical datasheet</p>	100327 100163 100196 100165 100895
<p>(F)</p> 	<p>CAYMAN MULTI-KEY</p> <p>Material : stainless steel 304 L 85 mm x W 30 mm x H 2 mm</p>	100208
<p>(G)</p> 	<p>CAYMAN ADJUSTING SCREW</p> <p>set of 2 ABS adjusting screws M6 H 54 x D 20 mm</p>	100409
<p>(H)</p> 	<p>CAYMAN FEET</p> <p>set of 4 ABS feet L 70 mm x W 33 mm x H 92 mm</p>	100140

Carrodrain Cayman 700 LOW

