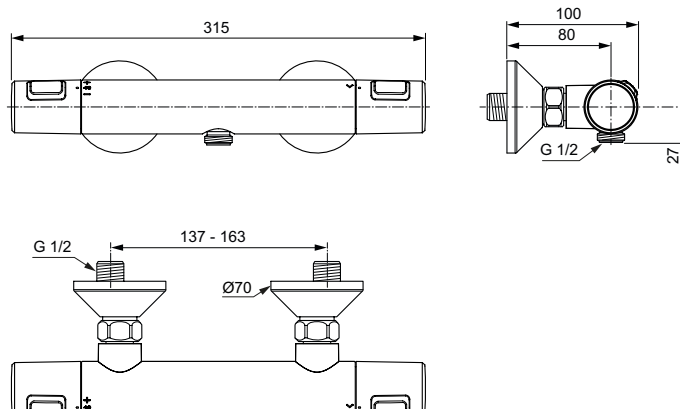


Ceratherm T25



Article-No.: A7201AA

Wall-mounted thermostatic shower mixer

Ceratherm T25 exposed model, standard S-connectors. With IS Thermostatic cartridge new technology; Ceramic valve G1/2 180°; Plastic handles with hot water at 40°C stop button and 50% water volume stop button; Non return valve. Without accessories. Optional equipment: Wrap over shelf for T25, T50 and T100 - A7215AA.

Colour: AA - Chrome

Features:

- Energy saving

More product details:

Mounting:	Exposed
Operation Type:	Thermostatic
Operation Pressure (bar):	3
Flow Rate (litre):	22
Tap Holes:	0
Net Weight (kg):	1.10
Material:	Chrome plated brass
Height (mm):	70
Width (mm):	315
Depth (mm):	100