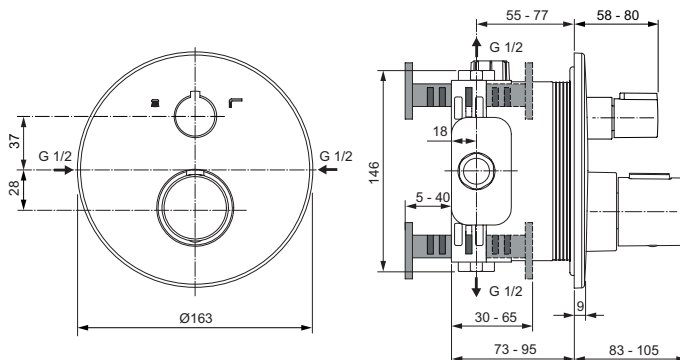




Ideal Standard

BATH-SHOWER MIXERS

Ceratherm T100



Article-No.: A5814A5

Built-in thermostatic bath & shower mixer

Built-in thermostatic individual bath & shower mixer Kit 2 (external part), IS Thermostatic cartridge and 2-way On/Off ceramic disc valve 90° with integrated Bath & Shower diverter, Without accessories, To be used only in combination with A1000NU Kit 1 (internal part)

Colour: A5 - Magnetic Grey

Technology: FirmaFlow Therm

More product details:

Type:	With Integrated diverter
Mounting:	Built-in
Operation Type:	Thermostatic
Style:	Contemporary
Accreditations:	EN1111
Operation Pressure (bar):	3
Flow Rate (litre):	22
Tap Holes:	0
Net Weight (kg):	1,7
Material:	PVD coated brass
Height (mm):	163
Width (mm):	163
Depth (mm):	105
Packaging Elements:	Kit 2

Ideal Standard s.r.o - Czech Republic

Zemská 623, 415 74 Teplice, Czech Republic - Tel: +420 417 592 111

Email: technickedotazy@idealstandard.com - Web: www.idealstandard.cz