

PRODUCT TECHNICAL SHEET

Collection : **VIDAGE**

Ref. : **8045.11.10**

Crépine 63 mm, 5/4"

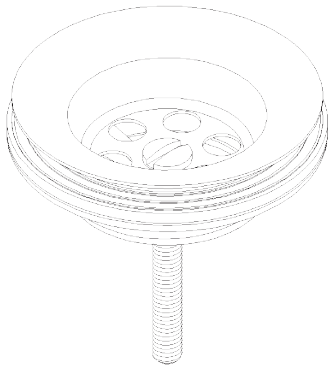
Lavaboplug 63 mm, 5/4"

Stainer set 63 mm, 5/4"

Picture

Product details

Weight : 0,1 kg



Technical drawing

